

▶ ADVANCE ▶ WELDING



ADVANCE LITE

PRODUCT NAME: Advance Lite

PRODUCT CATEGORY: Electrofusion Welder

WARRANTY: 12 Months

Product Features

Operating Mode

Manual, Smart-weld

Welding Range

16mm to 180mm

Operating Temperature

-10°C to +45 °C

Welding Voltage

39.5V (8V to 48V)

Welding Current

1A to 60A

Supply Voltage

230V

Weight

10 kg

Size

234 x 126 x 259mm

Environmental Protection

IP 54

Phone App

Android and Apple iOS

OLED Screen

3.12" 256 x 94

Standards



Product Overview

The Advance Lite has been designed to weld constant voltage electrofusion fittings for PE and PP pipe work systems from 16mm to 180mm diameter.

It can weld fittings in Manual mode and Smart-Welding mode. (8V to 48V).

It has been designed especially for the house-connection market where a small, lightweight, and rugged unit is required for reliably welding multiple small diameter connections back-to-back.

It has Bluetooth connection to allow remote control Smart-Welding with a mobile phone app, allowing GPS location and on-line web storage of the data.

Comes With



Advance Lite 230V AC Electrofusion Welder



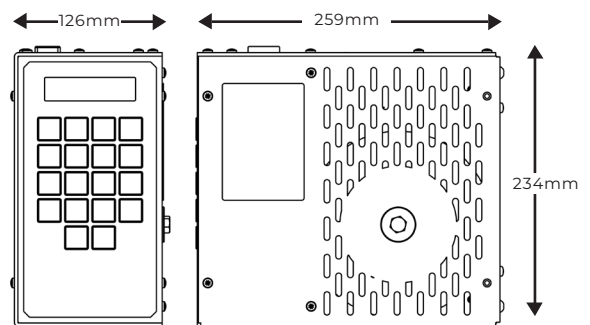
Universal 90 Degree Terminals 4mm - 4.7mm



Premium Bespoke Carry and Storage Bag



Locate App (Android/iOS)



Lite Build, Mighty Performance

To learn more about this product contact: sales@advancewelding.co.uk
Or Visit: advancewelding.equipment/